

Product Guide

User and Maintenance Information

IMPORTANT INFORMATION:
Please save this product guide.

H505 Mini Art Island Top/ Floor Easel H500 Mini Art Island

Recommended Use

This easel supports a wide variety of activities:

- children's paintings
- dry-erase markers directly on the whiteboard
- big book display
- flip chart presentations

Mini Floor Easel 1 – 3 year olds.

Mini Art Island 2 – 5 year olds.

⚠ WARNING

- ▲ This product is intended for use by children of immature judgment, therefore supervision is required at all times.
- ▲ Never reconfigure the Art Island with children nearby.
- ▲ Only use Floor Easel on the floor, not on a table-top. It may slide off.

Assembly

Products consist of the following:

H505 Mini Floor Easel

- 1 H505 Mini Art Island Top / Floor Easel containing:
 - 1 frame
 - 2 whiteboards
 - 2 trays
 - 2 shelf assemblies
 - 6 magnets (for attaching paper)

H500 Mini Art Island

- 1 H505 Mini Art Island Top / Floor Easel
- 1 H501 Mini Art Island Storage Unit containing:
 - 1 low storage unit
 - 1 plywood adjustable shelf

If your shipment is incomplete, please contact Customer Service.

To assemble the Art Island:

1. Open the easel frame all the way so the stays are straight.
2. Place the easel frame on the storage unit (if applicable) making sure all four latches engage.
3. Hang the two shelf/tray assemblies on the lower cross-member.
4. Place the bottom edge of the whiteboard panel in the white hooks.
5. Secure the whiteboard by positioning and screwing the white clips tight to catch the sides of the board. (See Fig. A.)

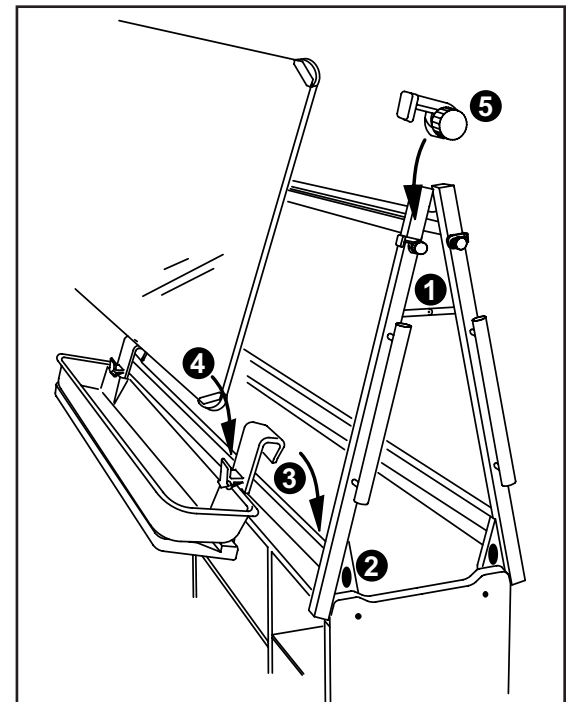


Figure A

Operation

⚠ WARNING

- ▲ Unit may tip when rolled sideways. Always push from an end. Never move with children nearby. Always disengage wheels after moving.

⚠ CAUTION

- ▲ Removing the easel frame or engaging the mobility needs two people.

To **remove the easel frame**, press the two yellow buttons at the end and lift.

To **install the tray**, place it flat on the shelf and centered between the white brackets. Press back firmly, one end at a time, until the tray snaps into place.

To **remove the tray** use fingers and thumb to lever the tray away from the easel (see Fig B).

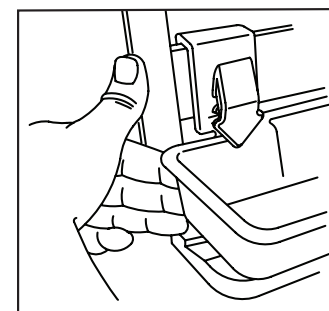


Figure B

CUSTOMER SERVICE:

United States

PO Box 2

Ulster Park, NY 12487

Office hours: 9-5 EST

Phone (800) 777-4244

Fax (800) 336-5948

(845) 572-3468

www.CommunityPlaythings.com

Sales@CommunityPlaythings.com



H505 Mini Art Island Top/
Floor Easel
H500 Mini Art Island

Mobility

It is important to understand how to operate the mobility feature, which can be easily engaged, and disengaged using the following procedure:

1. With one person at each end of the unit, tip slightly forward or back allowing the toe trim to pivot.
2. One person keeps the item tipped while the other rotates the toe trim to the desired position by pulling or pushing on one of the handholds at each end of the toe trim. (Fig. C)

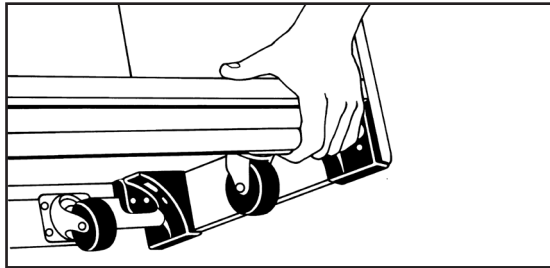


Figure C

3. Tip the unit slightly to the other side and repeat the procedure with the other toe trim.

Always use the handholds provided at each end of the toe trim. (Fig. C)

Adjustable Shelving The plywood adjustable shelf fits into grooves on the sides. It is removed by lifting it up and sliding it out.

Accessories

Magnets for holding paper and Tote pans, 3" and 6" deep, are available from Customer Service.

We do not provide whiteboard markers, magnetic shapes, paint and paper, etc.

Maintenance

The wooden parts of this product are not fully water-proof and therefore should not be left outdoors.

Periodically inspect for cracks, breaks, loose parts, missing parts, and/or malfunctions. The housing of the magnets may crack if they are dropped repeatedly. Remove the product or parts from service when any condition develops that might make operation unsafe.

Cleaning

The whiteboard can be cleaned using a soft dry cloth.

If the ink has been left on for a long time, rub clean with a dry cloth and then use a cleaner recommended by the supplier of your whiteboard markers or a non-abrasive general purpose cleaner. Stubborn stains may need some extra effort to remove completely. Wipe off residual paint with warm water. Too much water may harm the finish of the wooden parts.

Do not immerse whiteboards in water.

Abrasive cleaning agents will damage the whiteboard surface.

Steel magnets may scratch the whiteboard.

Construction

The easel frame and storage unit are constructed of solid hardwood with a clear nontoxic finish.

The adjustable shelf is made of durable hardwood plywood.

The whiteboards are steel with a foam core.

The trays and other plastic parts are injection-molded.

Packaging Recycling

All our packaging is recyclable in two simple categories:

Packaging Materials	Recycling Category
Cardboard boxes and pads, newsprint	corrugated cardboard
Plastic wrap, sheet foam, foam pads	Plastic #4 LDPE

Please help us preserve the earth for the children and recycle at an appropriate facility.

User Modifications

We are not responsible for modifications made by customers to our products in the field without our supervision, testing, or evaluation.

Ordering Parts

To order replacement parts, contact Customer Service with a description of the part(s) needed and the ID Code from the product.

Use only replacement parts supplied by Community Playthings.

CUSTOMER SERVICE:

United States

PO Box 2
Ulster Park, NY 12487
Office hours: 9-5 EST
Phone (800) 777-4244
Fax (800) 336-5948
(845) 572-3468

www.CommunityPlaythings.com
Sales@CommunityPlaythings.com

