

Product Guide

User and Maintenance Information

Important Information: Please save this product guide.

Recommended Use

The Push me-Pull me helps to channel your child's need for continuous leg work. Large diameter rear wheels and smooth rolling casters make riding a pleasure. The large hitch pin makes it possible to hook two or more together allowing all your toddlers to join in the fun. Recommended for children between the ages of 2 to 3.

▲ WARNING

▲ This product is intended for use by children of immature judgement therefore supervision is required at all times.

▲ CAUTION

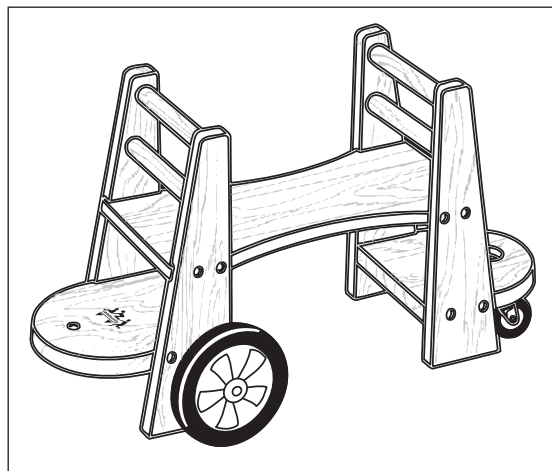
▲ For indoor use only, this product is not waterproof.

Assembly

Your Push Me-Pull Me comes in one carton. Inside are:

1. One Push Me-Pull Me.
2. This product guide.

If your shipment is incomplete, please call Customer Service.



P61 Push Me-Pull Me

Maintenance

Keep indoors or under cover when not in use. Periodically inspect for cracks, breaks, loose parts, missing parts, and/or malfunctions. Remove the product from service when any condition develops that might make operation unsafe.

Cleaning

Wipe the wood parts with a damp cloth and a mild detergent. Do not use excessive water.

Construction

The wooden components are manufactured from durable hardwood and finished with a clear nontoxic finish. The 6" wheels feature durable soft plastic tires. The casters are made of plated steel with non-marking rubber wheels that swivel on ball bearings.

User modifications

We are not responsible for modifications made by customers to our products in the field, without our supervision, testing or evaluation.

Ordering Parts

To order replacement parts, contact Customer Service with a description of the part(s) needed and the serial number of the product.

Use only replacement parts supplied by Community Playthings.

Customer Service:

United States

PO Box 2
Ulster Park, NY 12487
Office hours: 9-5 EST
Phone (800) 777-4244
Fax (800) 336-5948
(845) 572-3468

www.CommunityPlaythings.com

