

Product Guide

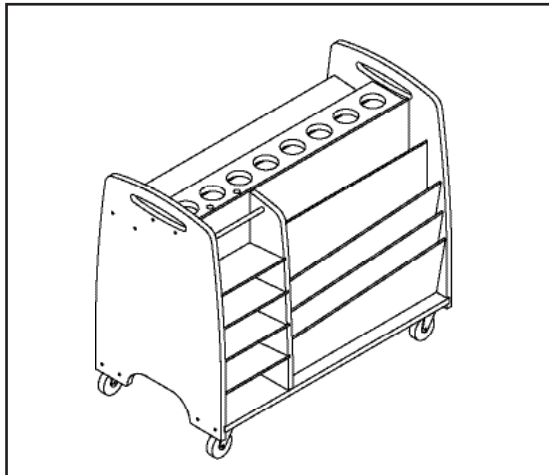
User and Maintenance Information

IMPORTANT INFORMATION:
Please save this product guide.

H557 Help Yourself Trolley

Recommended Use

The Help Yourself Trolley provides mobile space for art/craft modeling materials, deep totes, shallow totes or baskets, medium and small size totes, paper up to 18" x 24", paper rolls, scissors, pens, pencils, ribbons and tape. Recommended for ages 2 to 8.



The **HELP YOURSELF TROLLEY WITH TOTES OR BASKETS** Consist of the Following:

One carton labeled **H557 HELP YOURSELF TROLLEY** which contains:

- Help Yourself Trolley
- 2 Large removable shelves
- 4 Small removable shelves
- 1 Dowel for ribbons and tape
- 8 Cups
- 7 small Totes
- 5 medium Totes
- 3 Shallow Totes

Separate cartons which contain:

- 6 Deep Totes, or 6 Deep Baskets

If your shipment is incomplete, please call your Customer Service.

⚠ WARNING

- ▲ This product is intended for use by children of immature judgment, therefore supervision is required at all times.

⚠ CAUTION

- ▲ For indoor use only. The Help Yourself Trolley is not waterproof.

Assembly

The 2 large shelves and 4 small shelves slide into the slots provided.

The Ribbon Dowel is removable.

To remove the dowel:

1. Raise the left end of the dowel in the groove in the side, then slide it into the hole above the groove.
2. Raise the right end of the dowel and remove the dowel.

To insert the dowel:

1. Insert the left end of the dowel into the hole above the groove in the side.
2. Slide the right end into the hole in the partition.

Maintenance

Periodically inspect for cracks, breaks, and loose or missing parts. Remove product from service when any condition develops that might make operation unsafe.

Cleaning

Clean the Help Yourself Trolley with a mild detergent & water. Too much water will harm the finish on the wood. Baskets are machine washable. To clean out the vertical storage area, lift the outer partition for easy access.

Construction

The wooden components are manufactured from solid maple and maple plywood and are protected with a durable clear finish. The cups and totes are plastic.

The castors are 3" (75mm) diameter, locking and non-marking.

Packaging Recycling

Please help preserve the earth for the children and recycle at an appropriate facility.

All our packaging is recyclable in two simple categories:

Packaging Materials	Recycling Category
Cardboard boxes and pads, newsprint	corrugated cardboard
Plastic wrap, sheet foam, foam pads	Plastic #4 LDPE

CUSTOMER SERVICE:

United States

PO Box 2
Ulster Park, NY 12487
Office hours: 9-5 EST
Phone (800) 777-4244
Fax (800) 336-5948
(845) 572-3468

www.CommunityPlaythings.com
Sales@CommunityPlaythings.com



Page 2

User and Maintenance Information (cont'd)

H557 Help Yourself Trolley

User Modifications

We are not responsible for modifications made by customers to our products in the field without our supervision, testing, or evaluation.

Ordering Parts

To order replacement parts, contact Customer Service with a description of the part(s) needed and the ID Code from the product.

Use only replacement parts supplied by Community Playthings.

CUSTOMER SERVICE:

United States

PO Box 2

Ulster Park, NY 12487

Office hours: 9-5 EST

Phone (800) 777-4244

Fax (800) 336-5948

(845) 572-3468

www.CommunityPlaythings.com

Sales@CommunityPlaythings.com

