

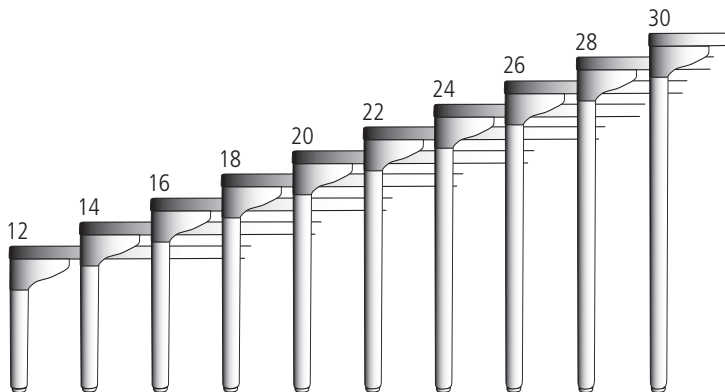


Community Playthings
PO Box 2
Ulster Park, NY 12487

Tel: 800 777 4244
Fax: 800 336 5948

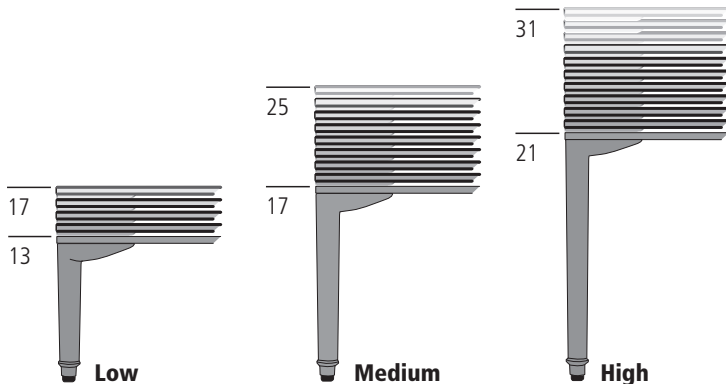
Table Leg Heights for Classroom Tables

Solid Leg height ranges (inches)



For **solid legs**, choose from these table heights: 12", 14", 16", 18", 20", 22", 24", 26", 28", or 30".

Adjustable Leg height ranges (inches) – for Classroom Tables



For **adjustable legs**, choose the height range that fits your classroom. Legs adjust in 1" increments: Low: 13"–17", Medium: 17"–25", High: 21"–31".